



FORMULA SEVEN

FORMULA SAE COMPONENTS

Formula Sae Standard Impact Attenuator

Data

Standard Impact Attenuator ad per Rule

B3.21.11

Material

Dow Impaxx 770® foam

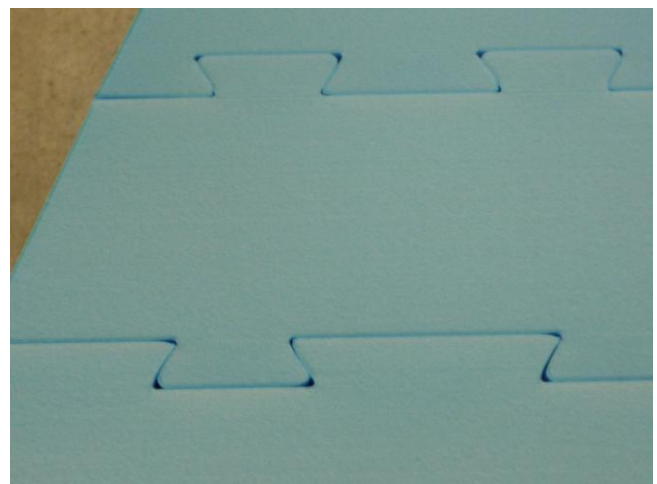
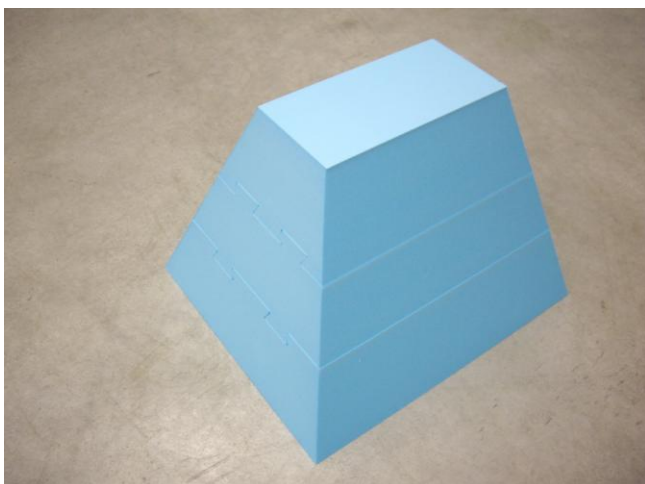
Weight

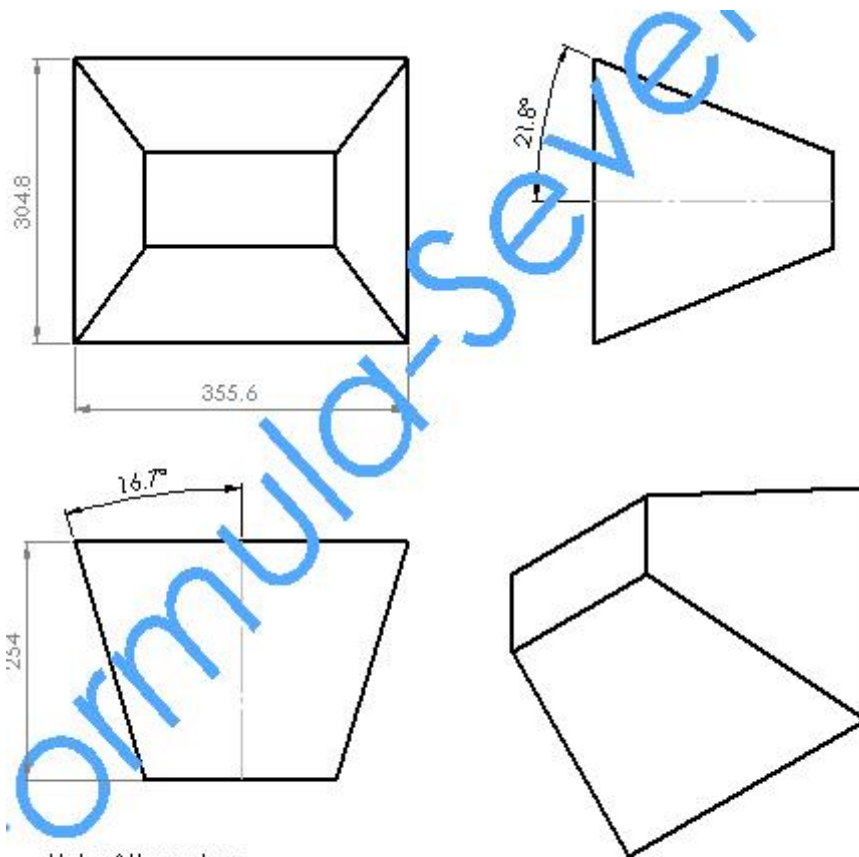
700 grams

NOTE1: Attenuators will not include optional radii on edges or mounting holes. Mounting holes shown are for reference only. Attachment is up to the team to determine

NOTE2: Glue is used between the parts to prevent sliding of the 3 slices.

NOTE3: It is suggested to use adhesive bonding to fix the Impact Attenuator on the Anti Intrusion Plate.





Note: Attenuators purchased from FORMULA SEVEN will not include optional radii on edges or mounting holes.